

TYPICAL CGS+ METER SOCKET INSTALLATION DETAIL

NOTES FOR CGS+ METERING:

1. ALL REQUIREMENTS FROM UTILITY'S ESIM SHALL BE FOLLOWED FOR BOTH THE BILLING AND CGS+ METER INSTALLATION. THIS INCLUDES ALL CLEARANCE AND METER HEIGHT REQUIREMENTS.
2. METER SOCKETS SHALL MEET THE REQUIREMENTS FOR RESIDENTIAL METER SOCKETS PER ESIM.
3. WHERE NOT UP TO STANDARD, THE EQUIPMENT FOR THE BILLING METER SHALL BE UPGRADED TO MEET THE LATEST REQUIREMENTS OF THE ESIM. THIS INCLUDES RELOCATING METER SOCKETS TO COMPANY APPROVED LOCATIONS AND UPGRADING ALL CLEARANCES, BONDING AND GROUNDING.
4. THE SOCKET FOR THE BILLING METER SHALL BE PHYSICALLY INSTALLED CLOSEST TO THE FRONT OF THE HOUSE/STRUCTURE.
5. BOTH METER SOCKETS SHALL BE PERMANENTLY LABELED PER UTILITY'S ESIM.
6. THERE SHALL ONLY BE ONE CONNECTION BETWEEN THE NEUTRAL AND GROUND. THIS CONNECTION SHALL BE MADE AT THE SOCKET FOR THE BILLING METER.
7. UTILITY DISCONNECT SWITCH SHALL BE DESIGNED/INSTALLED PER THE NATIONAL ELECTRIC CODE.

*SEE SHEET 3 FOR DISCLAIMER NOTE.

DATE
INITIAL

REVISION

DRAWN	DESIGNED	APPD	REDRAWN
SUPERSEDES		TYPICAL CUSTOMER GRID SUPPLY PLUS (CGS+) PRODUCTION METER INSTALLATION GUIDE	
ENGINEERING STANDARD HAWAIIAN ELECTRIC CO. INC.		ORIGINAL	
		REV	
		SHEET OF	

DISCLAIMER:

THIS SAMPLE DRAWING IS BEING PROVIDED BY THE HAWAIIAN ELECTRIC COMPANY, INC., HAWAII ELECTRIC LIGHT COMPANY, INC., MAUI ELECTRIC COMPANY, LTD. ("UTILITY") AS A PUBLIC SERVICE TO ASSIST OUR CUSTOMERS AND IS SUBJECT TO THE FOLLOWING CONDITIONS:

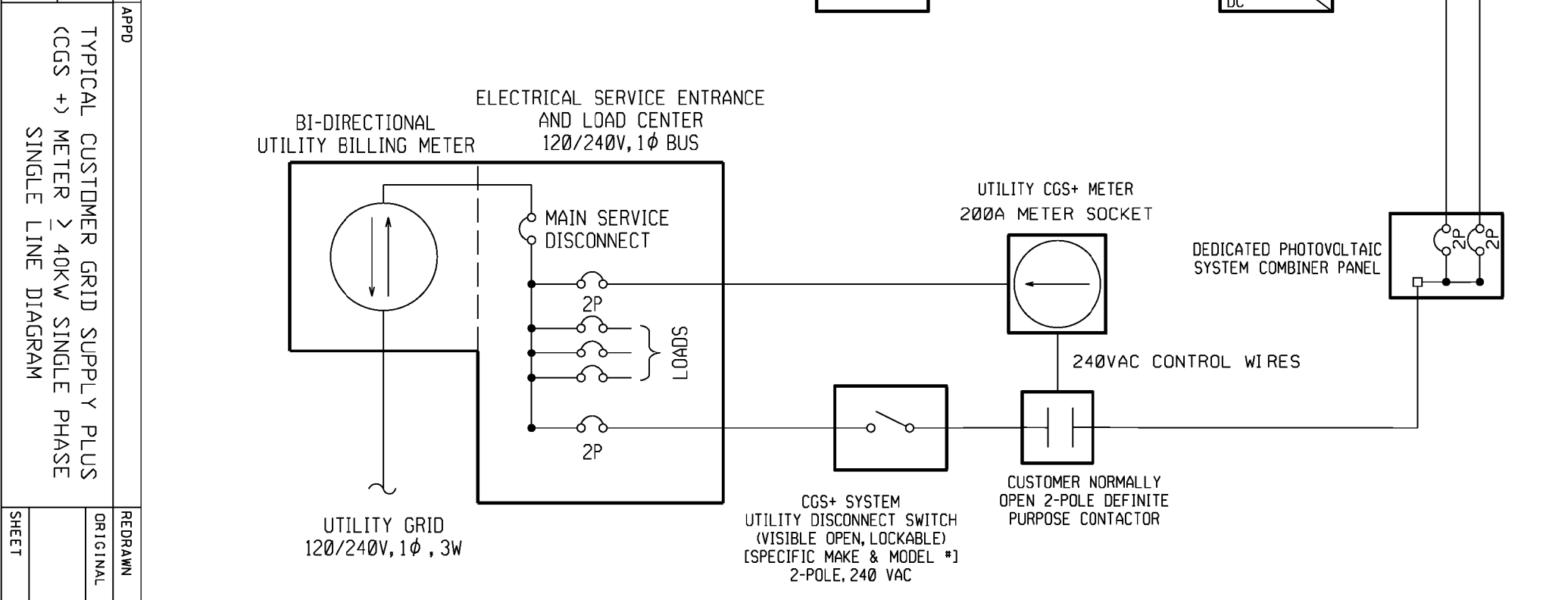
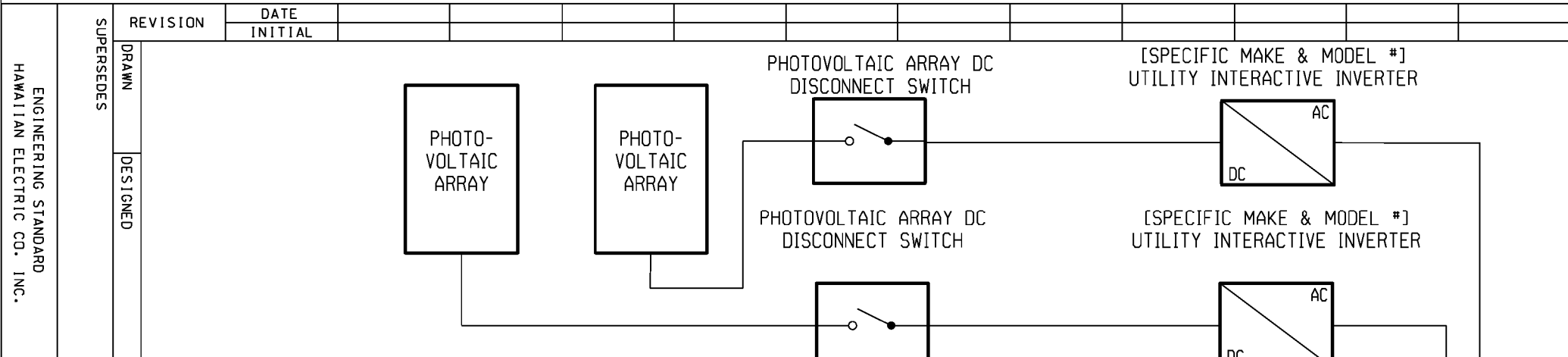
1. THIS DRAWING IS FOR INFORMATIONAL PURPOSES ONLY AND IS NOT AN OFFER OR COMMITMENT TO DELIVER ANY SPECIFIC MATERIALS, EQUIPMENT OR SERVICES.
2. THIS DRAWING AND ITS SUITABILITY FOR END USE IS NOT IMPLIED AND THE INFORMATION CONTAINED IN THIS DRAWING IS NOT A SUBSTITUTE FOR ANALYSIS AND EVALUATION BY QUALIFIED, LICENSED ENGINEERING CONTRACTOR OR CONSULTANT AND SHOULD NOT BE USED OR RELIED UPON IN REGARD TO ANY PARTICULAR FACTS OR CIRCUMSTANCES WITHOUT FIRST CONSULTING YOUR CONTRACTOR OR CONSULTANT.
3. THE INTENT OF THE DRAWING IS TO ONLY ILLUSTRATE TYPICAL MINIMUM INFORMATION REQUIRED AT THE TIME OF INTERCONNECTION APPLICATION SUBMITTAL. SPECIFIC CONDITIONS AT THE CUSTOMER'S PREMISES WILL VARY AND WILL AFFECT REQUIREMENTS FOR A CUSTOMER'S FACILITY.
4. PROVISION OF THIS INFORMATION DOES NOT IMPLY THE ENDORSEMENT OR SUITABILITY OF PURPOSE OF A PARTICULAR MANUFACTURER'S EQUIPMENT.
5. ADDITIONAL INFORMATION MAY BE REQUIRED UPON INTERCONNECTION APPLICATION SUBMITTAL.
6. EQUIPMENT SHALL BE INSTALLED IN ACCORDANCE WITH ALL APPLICABLE LOCAL, STATE AND NATIONAL CODES AND REQUIREMENTS.

DATE
INITIAL

REVISION

DRAWN	DESIGNED	APPD	REDRAWN
SUPERSEDES		TYPICAL CUSTOMER GRID SUPPLY PLUS (CGS+) PRODUCTION METER DISCLAIMER NOTE	ORIGINAL
ENGINEERING STANDARD HAWAIIAN ELECTRIC CO. INC.			REV
			SHEET OF

REVISION	DATE													
	INITIAL													



ENGINEERING STANDARD
HAWAIIAN ELECTRIC CO., INC.

SUPERSEDES
DRAWN

DESIGNED

APPD

REDRAWN
ORIGINAL

TYPICAL CUSTOMER GRID SUPPLY PLUS
(CGS +) METER > 40KW SINGLE PHASE
SINGLE LINE DIAGRAM

SHEET

NOTE:
BI-DIRECTIONAL UTILITY BILLING METER AND UTILITY CGS+ PRODUCTION METER TO BE INSTALLED BY THE UTILITY.

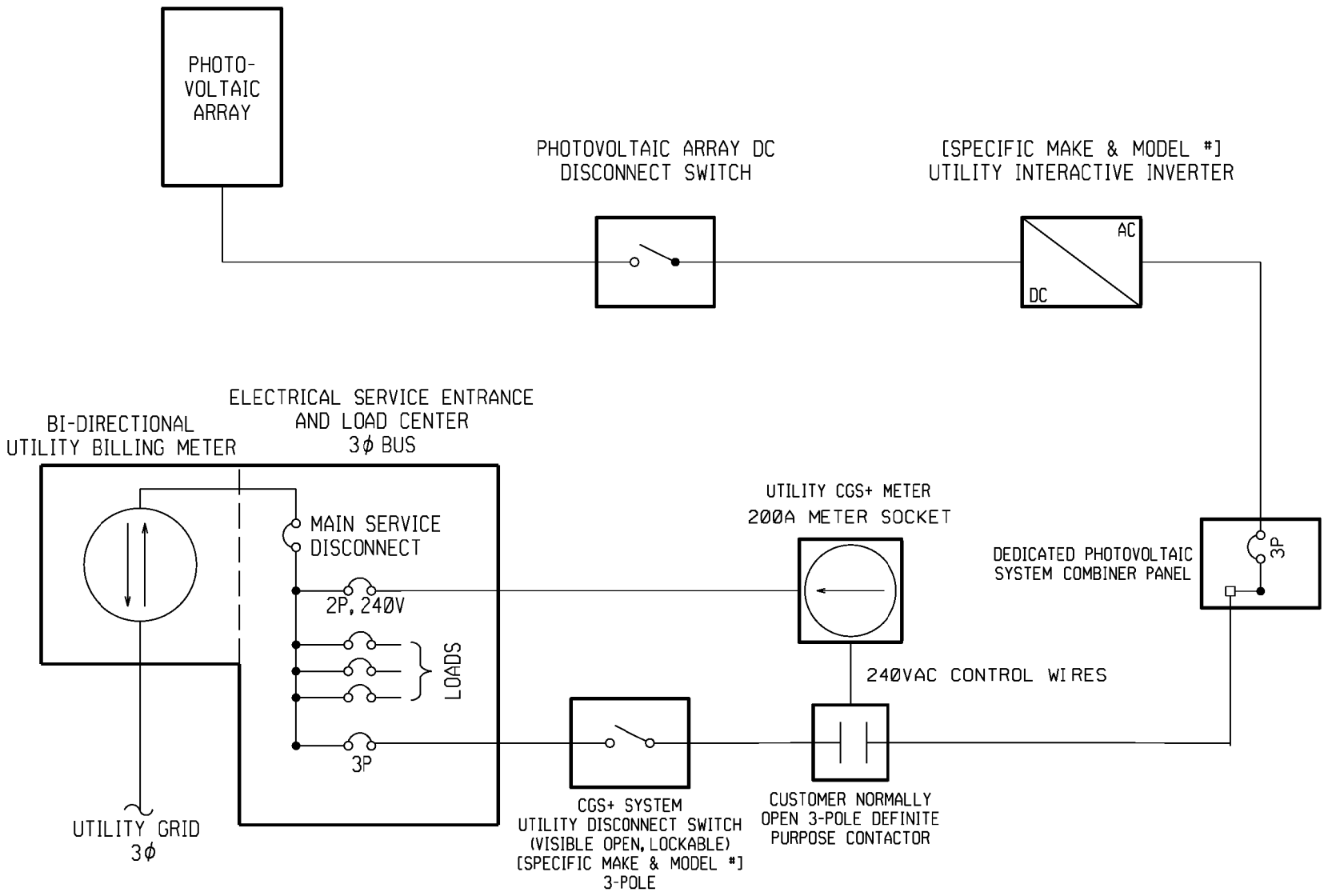
•SEE SHEET 3 FOR DISCLAIMER NOTE.

REVISION	DATE											
	INITIAL											

SUPERSEDES
 DRAWN
 DESIGNED
 ENGINEERING STANDARD
 HAWAIIAN ELECTRIC CO., INC.

APPD
 TYPICAL CUSTOMER GRID SUPPLY PLUS
 (CGS+) METER THREE PHASE
 SINGLE LINE DIAGRAM

REDRAWN
 ORIGINAL
 SHEET



NOTE:
 BI-DIRECTIONAL UTILITY BILLING METER AND UTILITY CGS+ METER TO BE INSTALLED BY THE UTILITY.

•SEE SHEET 3 FOR DISCLAIMER NOTE.